



MK201A

Features

- Microprocessor based numerical relay
- Current measurement based on fundamental frequency
- Low-set definite time relay
- High-set instantaneous relay
- Separate low-set and high-set indicators
- Option to disable the high-set relay
- Front panel access to the test function
- Complies with IEC 60255-26 standard
- ANSI Code : 50N, 51N

Technical Data

RATINGS

Rated current (I_n) : 5 A
 Rated frequency : 50 Hz
 Burden : < 0.3 VA at I_n
 Thermal withstand : 4 x I_n continuous

AUXILIARY SUPPLY

Model MK201A-240A : 198 ~ 265 V AC
 Model MK201A-110A : 94 ~ 127 V AC
 Supply frequency : 50 Hz
 VA rating : 3 VA typical

SETTING RANGES

Low-set ($I >$) : 0.1 A to 2.0 A
 : 2% to 40%
 Low-set delay time (DELAY): 0.05 sec to 1.0 sec
 High-set ($I >>$) : $I >$ to 10 x $I >$ or disable
 High-set delay time ($t >>$) : Instantaneous

ACCURACY

Protection thresholds : $\pm 5\%$
 Time delay : $\pm 5\%$ with a minimum
 of 50 ms

OUTPUT CONTACTS

Trip contact (R1) : Manual reset type
 Rated voltage : 250 V AC
 Contact rating : 5 A
 Expected electrical life : 100,000 operations at
 rated current
 Expected mechanical life : 5×10^6 operations

INDICATORS

Auxiliary supply : Green indicator
 Pick-up : Red indicator
 Trip : Red indicator

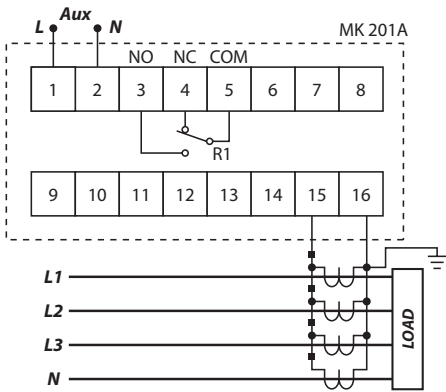
ENVIRONMENTAL CONDITIONS

Temperature : -5°C to $+55^\circ\text{C}$
 Humidity : 56 days at 93% RH and 40°C
 non-condensing

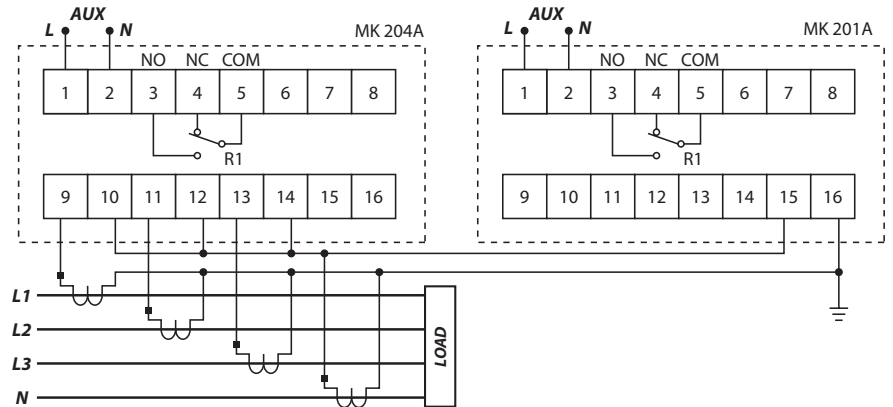
MECHANICAL

Mounting : Panel mounting
 Dimension (mm) : 96(w) x 96(h) x 90(d)
 Approximate weight : 0.6 kg

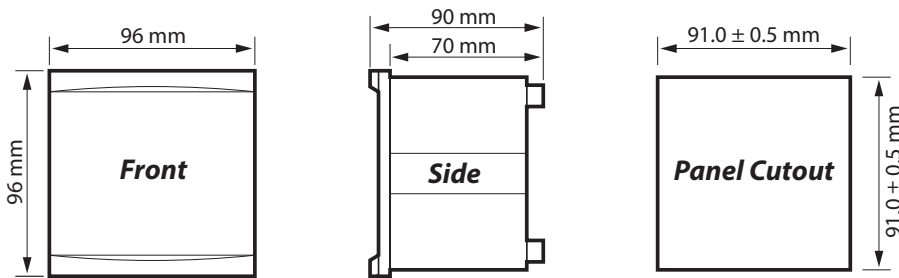
Typical Application Diagram



Combined IDMT Overcurrent & Earth Fault Relays



Case Dimensions



Ordering Information

MODEL	DESCRIPTION
MK201A - 240A	For 50 Hz system, auxiliary voltage 198 ~ 265 V AC
MK201A - 110A	For 50 Hz system, auxiliary voltage 94 ~ 127 V AC